

## Salamanders

### Gas Salamander, open on 3 sides - 750mm

ITEM # \_\_\_\_\_

MODEL # \_\_\_\_\_

NAME # \_\_\_\_\_

SIS # \_\_\_\_\_

AIA # \_\_\_\_\_



**283032 (E0UUAABOMPA)** Gas Salamander, open on 3 sides, adjustable grid, 750 mm, accepts GN 1/1

### Short Form Specification

**Item No.** \_\_\_\_\_

Constructed in AISI 430 stainless steel. Table top model can be hanged on the wall with wall brackets (optional). Open on 3 sides. Piezoelectric ignition. Stainless steel mesh radiant elements, heated by means of 2 burners with pilot flame and safety thermocouple. Cooking grid adjustable on 6 positions by means of a rack system. Stainless steel drip tray and chromium-plated grid fitted with heat resistant handles.

### Main Features

- 2 burners of 3,7kW each featuring safety pilot and thermocouple.
- Piezo ignition.
- Cooking plate size: 575x400 mm accept GN1/1.
- Open 3 sides for rapid cooling and ease of use.
- Removable stainless steel drip tray and chromium-plated grid.
- Height of the grid can be adjusted on 6 different levels through the rack system.
- Grid can slide on runners and is provided with a security lock to avoid accidental fall.

### Construction

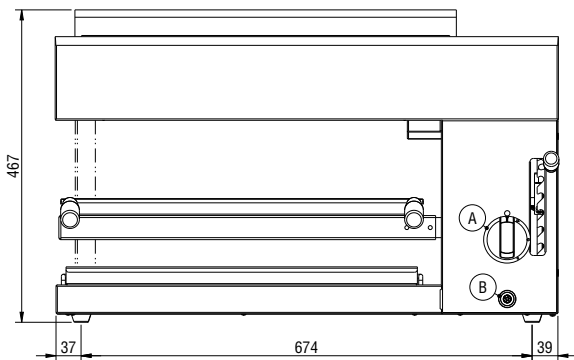
- Entirely constructed in 430 AISI stainless steel.
- Table top unit can be wall mounted with dedicated optional accessory.
- 4 rubber feet.

### Optional Accessories

- Wall mounted brackets kit for salamanders open on 1 side PNC 283036

**APPROVAL:** \_\_\_\_\_

Front


**Gas**
**Gas Power:**

283032 (E0UUAABOMPA) 7.4 kW

**Standard gas delivery:**

Natural Gas

**Key Information:**
**External dimensions, Width:** 752 mm

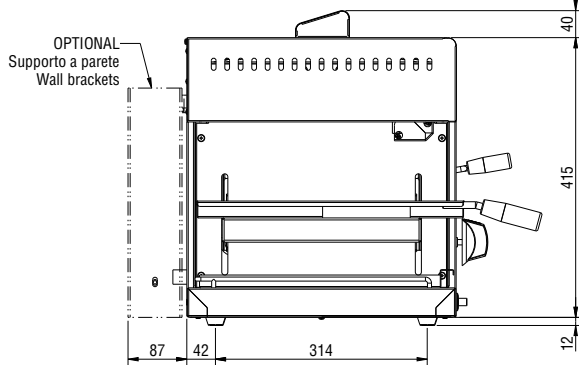
**External dimensions, Depth:** 500 mm

**External dimensions, Height:** 467 mm

**Net weight:** 41 kg

**N° of grid levels:** 6

Side



G = Gas connection

Top

